



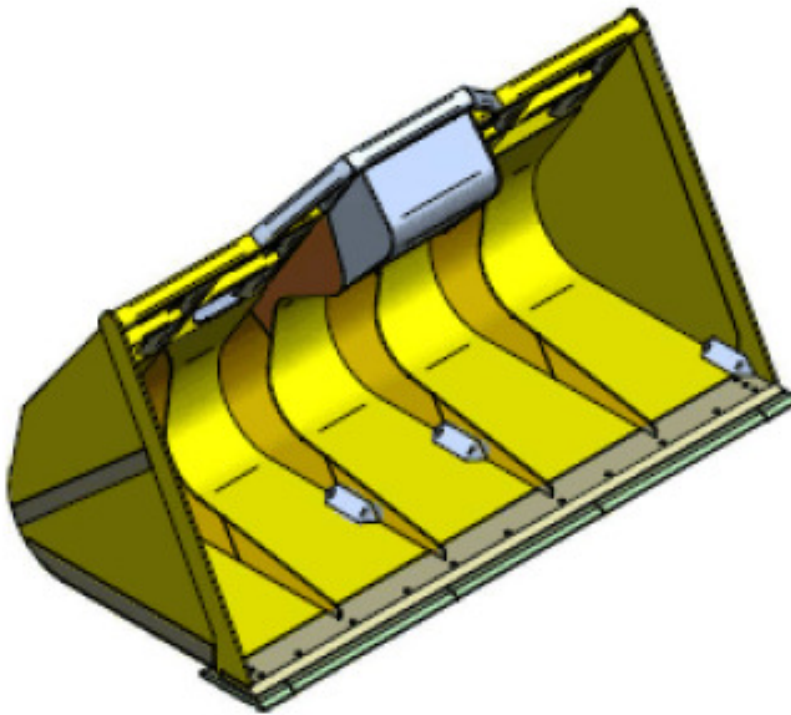
A Division of Cascade Corporation



Wood Chip Buckets

Woodchip operations require large capacity and 24-7 operation. Only the best designed buckets hold up to this rugged application. PSM LLC designs maintain the correct carry and dump angles for maximum production.

Sizes available for a wide range of wheel loaders from 5 yd to 30 yd.



Pacific Services and Manufacturing
21307 87th AVE SE
Woodinville, WA 98072
Phone: 425-486-1232 * 800-373-3514
Fax: 425-486-0803
www.psmcorp.com
Email: info@psmcorp.com

PSM LLC OFFERS A FULL LINE OF ATTACHMENTS FOR:
EXCAVATORS—WHEEL LOADERS—SKID STEER LOADERS—TELEHANDLERS
AND MUCH MORE

