



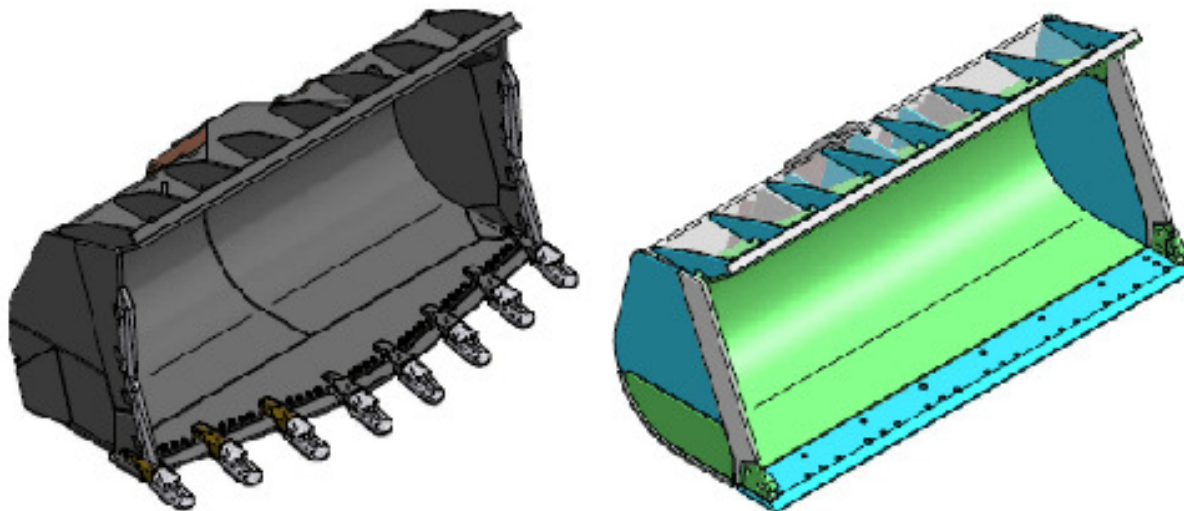
A Division of Cascade Corporation



## Rock Buckets

Our Rock Buckets are built for the environment they work in “Rugged” Reinforced at all wear and stress points to give you a long life of dependable service. Bucket design maintains breakout force in the hardest application. Your choice of cutting edges, with or without your choice of teeth , adapters, and wear shrouds.

We build each one to meet your needs and back them with superior parts and service support.



Pacific Services and Manufacturing  
21307 87th AVE SE  
Woodinville, WA 98072  
Phone: 425-486-1232 \* 800-373-3514  
Fax: 425-486-0803  
www.psmcorp.com  
Email: info@psmcorp.com

PSM LLC OFFERS A FULL LINE OF ATTACHMENTS FOR:  
EXCAVATORS—WHEEL LOADERS—SKID STEER LOADERS—TELEHANDLERS  
AND MUCH MORE

