



A Division of Cascade Corporation



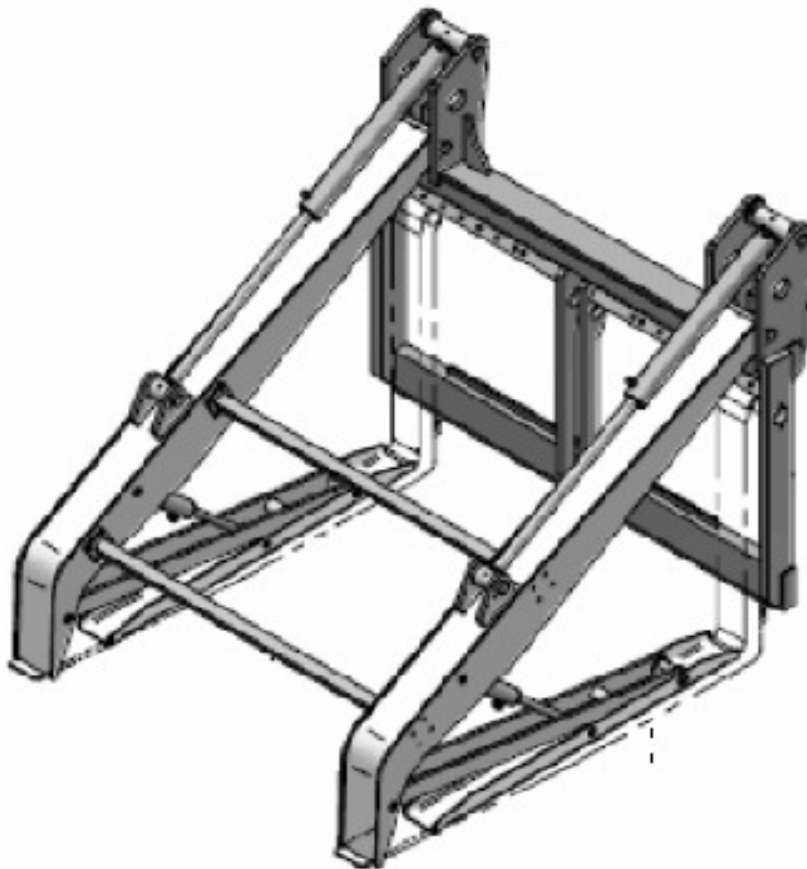
Pipe Forks

Rigid box sections. Easily handles large and small pipe.

Dual arm design with hydraulic down pressure clamps.

Top clamps will not interfere with most loads on forks when fully open.

Sizes available for all wheel loaders.



Pacific Services and Manufacturing
21307 87th AVE SE
Woodinville, WA 98072
Phone: 425-486-1232 * 800-373-3514
Fax: 425-486-0803
www.psmcorp.com
Email: info@psmcorp.com

**PSM LLC OFFERS A FULL LINE OF ATTACHMENTS FOR:
EXCAVATORS—WHEEL LOADERS—SKID STEER LOADERS—TELEHANDLERS
AND MUCH MORE**

