

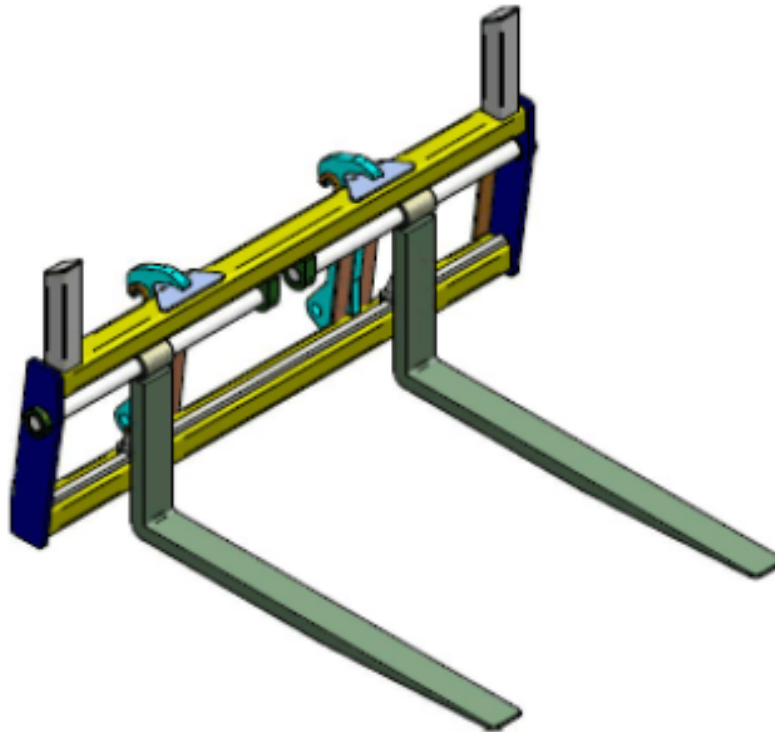


A Division of Cascade Corporation



Pallet Forks

Designed for heavy duty use with classes for small skid steer loaders to the largest of wheel loaders with capacities exceeding 100,000 lbs. Standard models offer quick delivery and custom designed units to meet your exact application.



Pacific Services and Manufacturing
21307 87th AVE SE
Woodinville, WA 98072
Phone: 425-486-1232 * 800-373-3514
Fax: 425-486-0803
www.psmcorp.com
Email: info@psmcorp.com

PSM LLC OFFERS A FULL LINE OF ATTACHMENTS FOR:
EXCAVATORS—WHEEL LOADERS—SKID STEER LOADERS—TELEHANDLERS
AND MUCH MORE

