



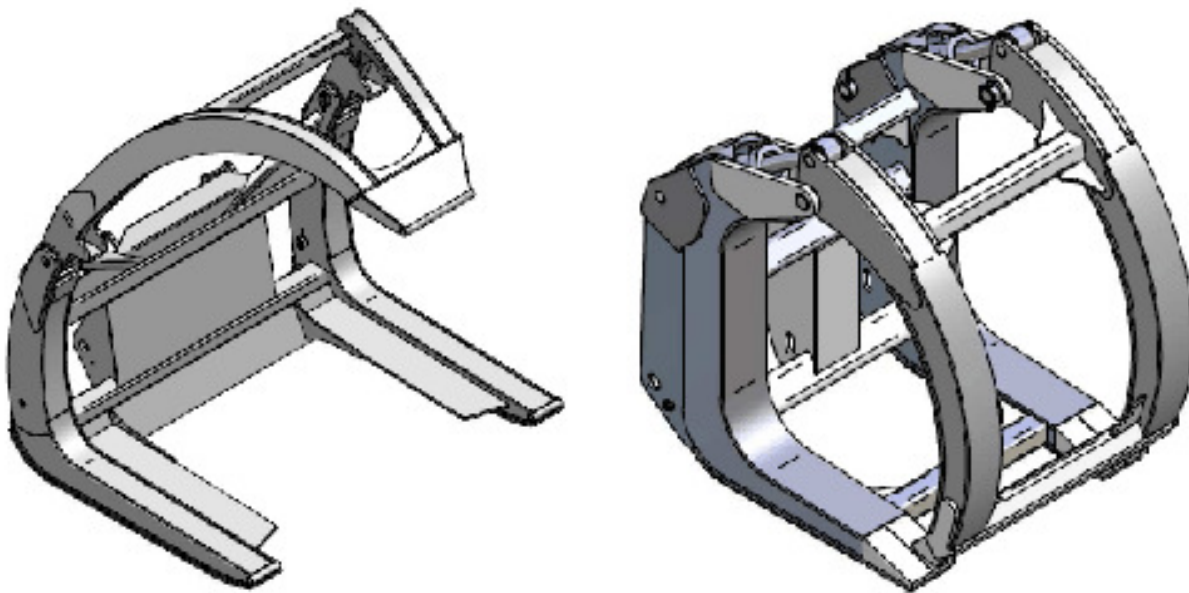
A Division of Cascade Corporation



Log Forks & Grapples

PSM's full line of Log Forks and grapples are designed to your specific mill yard requirements. Our line includes sorting forks, high Capacity, single double or tandem clamps, peeler forks, and bale styles.

Box tine construction for maximum strength, quality hydraulic cylinders are located for protection from damage.
Built for maximum capacity with minimum weight.



Pacific Services and Manufacturing
21307 87th AVE SE
Woodinville, WA 98072
Phone: 425-486-1232 * 800-373-3514
Fax: 425-486-0803
www.psmcorp.com
Email: info@psmcorp.com

PSM LLC OFFERS A FULL LINE OF ATTACHMENTS FOR:
EXCAVATORS—WHEEL LOADERS—SKID STEER LOADERS—TELEHANDLERS
AND MUCH MORE

