



A Division of Cascade Corporation

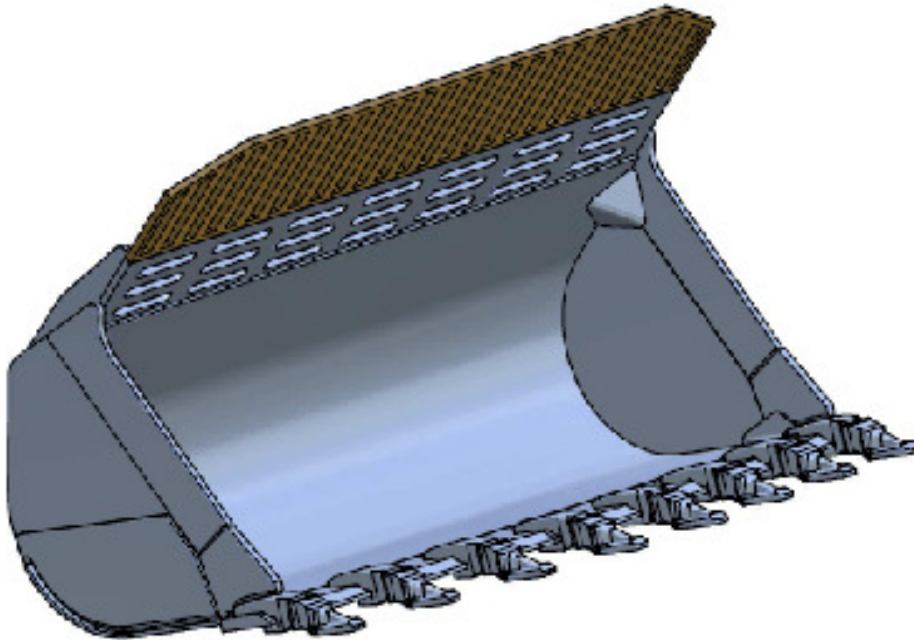


Landfill Buckets

High capacity with high spill screen used for spreading, loading, and piling at landfills.

Normally built with bolt on cutting edges.
(Teeth and adapters Optional)

Available in pin on and quick coupler styles.



Pacific Services and Manufacturing
21307 87th AVE SE
Woodinville, WA 98072
Phone: 425-486-1232 * 800-373-3514
Fax: 425-486-0803
www.psmcorp.com
Email: info@psmcorp.com

PSM LLC OFFERS A FULL LINE OF ATTACHMENTS FOR:
EXCAVATORS—WHEEL LOADERS—SKID STEER LOADERS—TELEHANDLERS
AND MUCH MORE

