

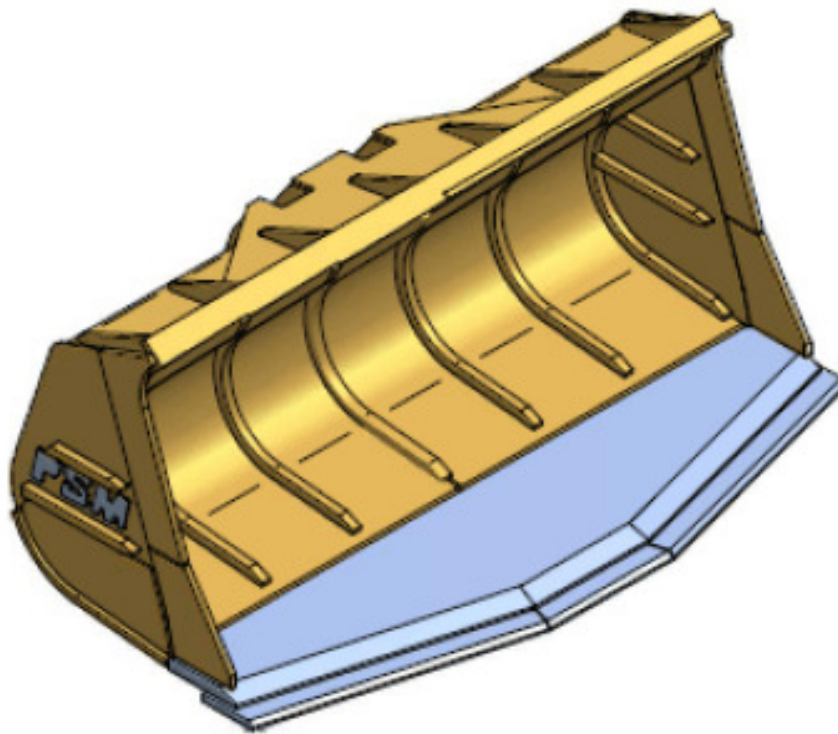


A Division of Cascade Corporation



Hot Slag Buckets

**PSM LLC has Slag Bucket designs to fit your operation.
Loading Processed Slag, Breaking hard cold Slag, Breaking Cooling
Slag, or Handling Molten Slag.
With options including choice of cutting edge, teeth, hard facing, and
tungsten carbide protection.**



Pacific Services and Manufacturing
21307 87th AVE SE
Woodinville, WA 98072
Phone: 425-486-1232 * 800-373-3514
Fax: 425-486-0803
www.psmcorp.com
Email: info@psmcorp.com

**PSM LLC OFFERS A FULL LINE OF ATTACHMENTS FOR:
EXCAVATORS—WHEEL LOADERS—SKID STEER LOADERS—TELEHANDLERS
AND MUCH MORE**

