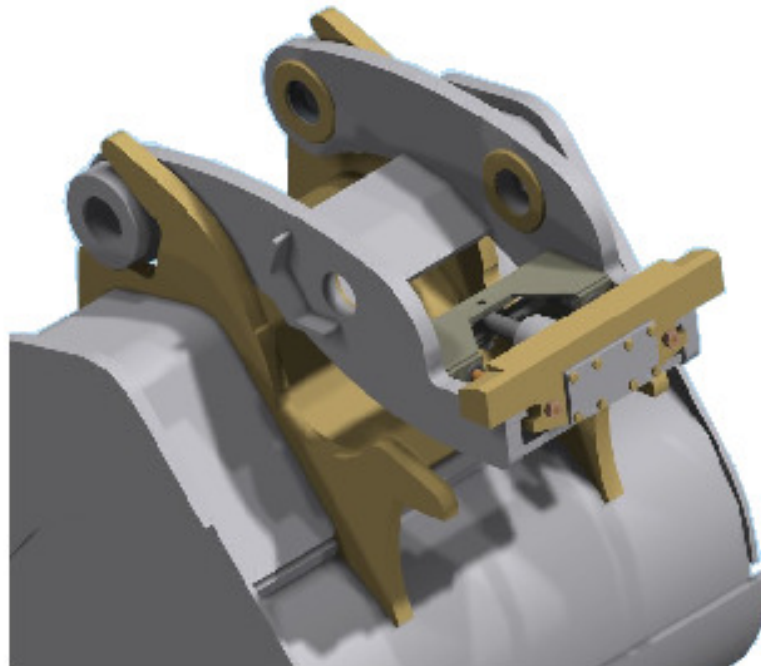


Series II Wedge Style Couplers Manual or Hydraulic

**PSM Series II Quick Couplers are a lightweight quick coupler engineered and manufactured to exacting tolerances.
Provides easy interchange of attachments.
Wear compensating design for longevity.
Maintains factory breakout force.
Available for all excavator attachments.**



**Series II Blank Lugging
available for conversion of
existing attachments.
Adapter plates available for
Hammers and Compactors.
Complete conversion with
labor available at PSM.**

**Pacific Services and Manufacturing
21307 87th AVE SE
Woodinville, WA 98072
Phone: 425-486-1232 * 800-373-3514
Fax: 425-486-0803
www.psmcorp.com
Email: info@psmcorp.com**